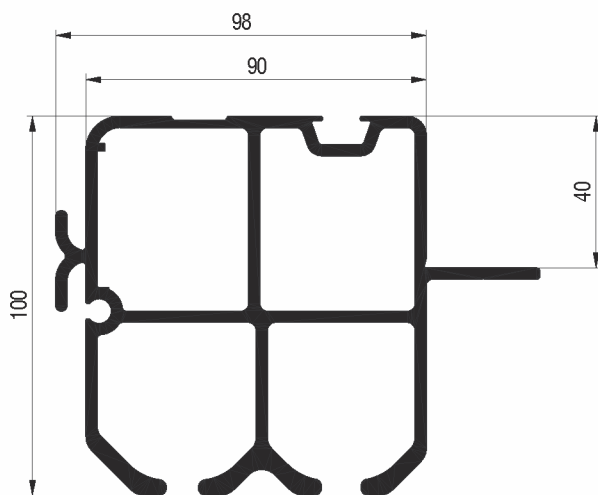
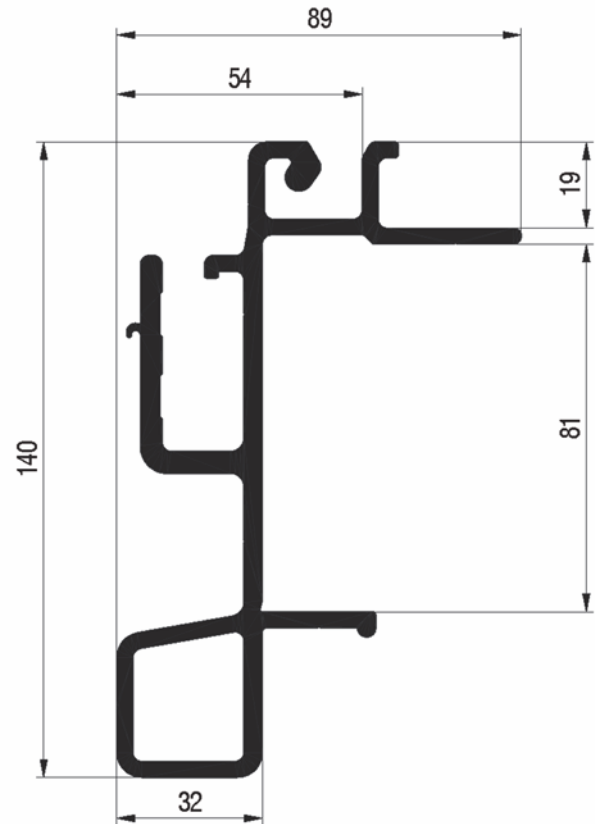


56 000 3.015 kg/m
L = 4970



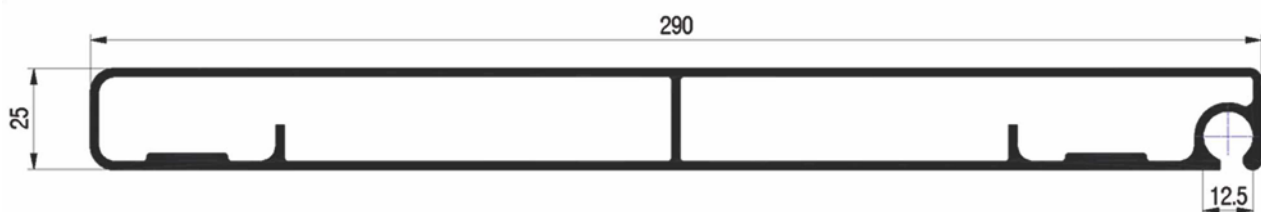
56 020 7.721 kg/m
L = 7000

56 020-1 4.964/m kg/m
L = 4.964



56 010-1 7.513 kg/m
L = 7000

56 010 4.533 kg/m
L = 4500



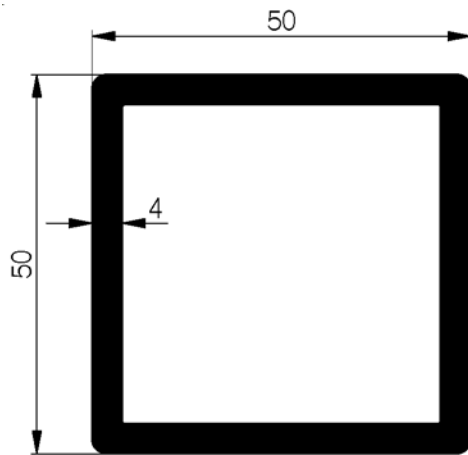
56 030 3.745 kg/m
L = 4660

Aluminiumprofil
Profil aluminium

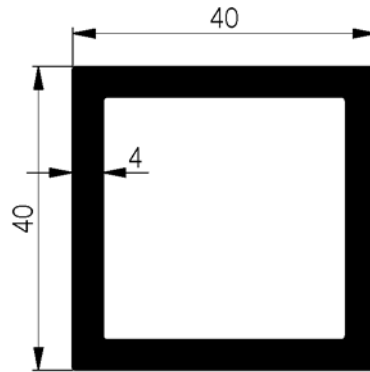
Rohr
Tube

E = eloxiert / éloxé R = roh / brut

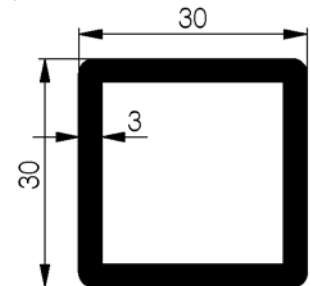
Masstab/Echelle 1:1



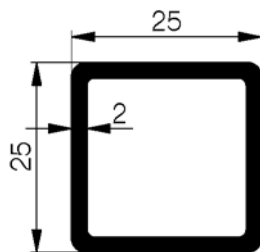
956 2.055 kg/m
L = 6500
E + R



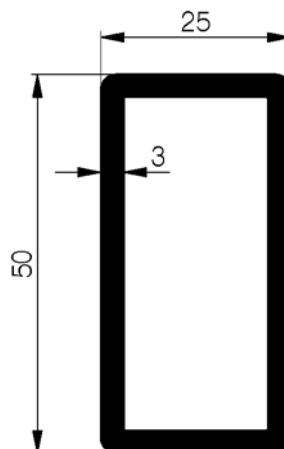
984 1.639 kg/m
L = 6000
R



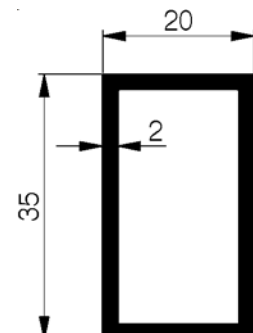
930 0.868 kg/m
L = 6500
E + R



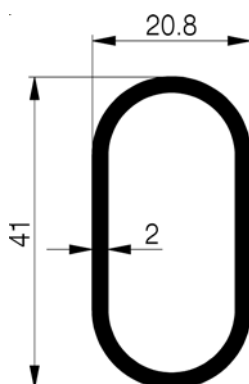
925 0.640 kg/m
L = 6500
E + R



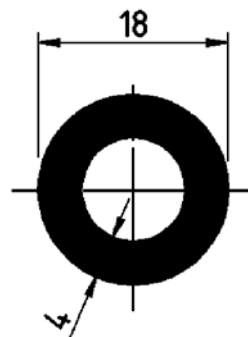
920 1.182 kg/m
L = 6250
E + R



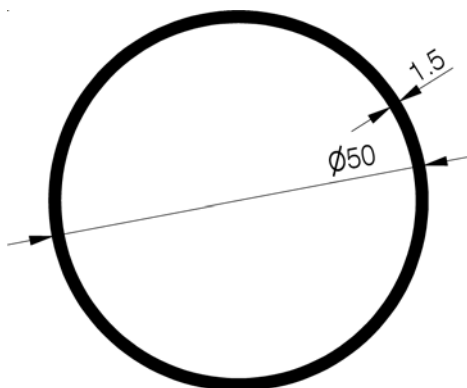
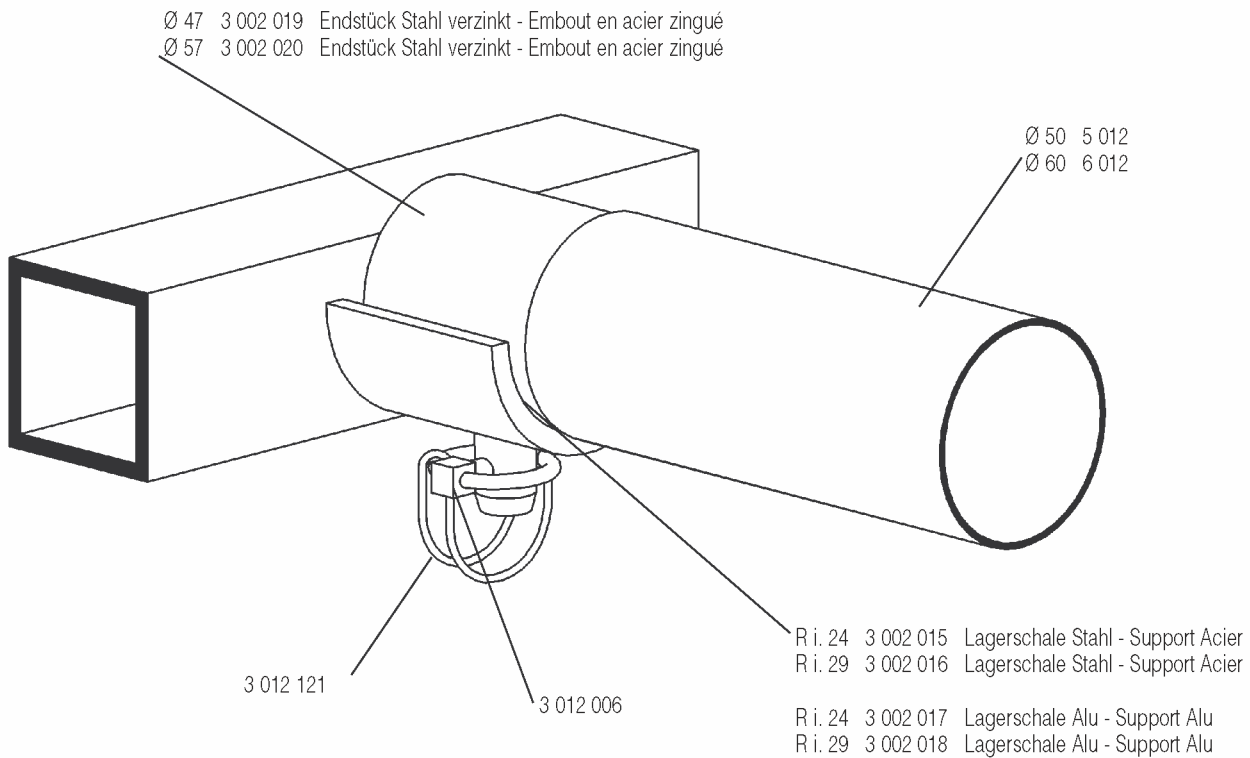
3 520 0.551 kg/m
L = 6000
R



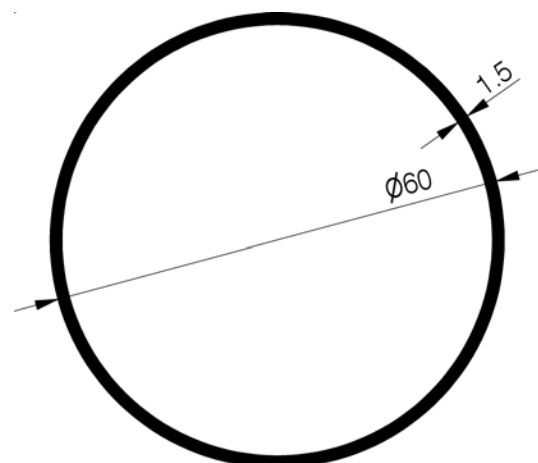
4 120 0.537 kg/m
L = 6850
R



18 020 0.480 kg/m
L = 6500
E + R



5 012 0.649/m kg/m
L = 7400



6 012-3 0.774/m kg/m
L = 4500